

**CENTRAL BRASS®**



**ROBERTSON.CO.NZ**

---

# CENTRAL BRASS®

*A Legacy of Excellence*

---

Trusted by commercial builders for over 120 years

Products from Central Brass have been the go-to resource for contractors, builders and plumbers for over 100 years. Their goal is to make choosing kitchen mixers and fixtures the easiest part of the project. Enjoy the peace of mind that comes from knowing they're a company with decades of experience with a commitment to quality. Rest assured when you choose Central Brass, you're choosing something that is made to last.

Commercial kitchen mixers are indispensable in professional culinary environments, offering efficiency and versatility in food preparation and cleaning up. These robust mixers are designed to withstand the rigours of everyday use. Providing reliable water flow for various kitchen tasks, from rinsing wastes to filling pots for cooking. The essential specialised pre rinse spray is tailored to tackle the unique challenges of maintaining hygiene in a busy kitchen. These powerful sprays are designed to remove grease, grime, and food residues, not only do they create a more hygienic environment but also reduce the risk of cross-contamination and upholding stringent food safety standards.

## **WARRANTY**

5 YEARS WARRANTY\*

\*TERMS & CONDITIONS APPLY.

---



# COMMERCIAL KITCHEN MIXERS

CENTRAL BRASS

## WALL MOUNT PRE-RINSE COMMERCIAL KITCHEN MIXER WITH SINK SPOUT

PRE-RINSE

WELS 0 STAR 4.5 L/MIN SINK

SPOUT WELS 0 STAR 6 L/MIN

CHROME:

**44681.02**

OPTIONAL EXTRA:

### CONCENTRIC FITTINGS FOR COMMERCIAL FAUCETS (PAIR)

CODE:

**44690.02**



Chrome Plated Brass Handle with PVC coating for heat resistant

Integrated Stainless Steel Clip to Hold Handle Open

Serviceable Valve Components, Brass Stem and Stainless Steel Spring

One piece Stainless Steel Nozzle

Rubber Nozzle Bumper

CENTRAL BRASS

## WALL MOUNT EXTENDED HEIGHT PRERINSE COMMERCIAL KITCHEN MIXER WITH SINK SPOUT

PRE-RINSE WELS 5 STAR 5 L/MIN

SINK SPOUT WELS 0 STAR 6 L/MIN

CHROME:

**44683.02**

OPTIONAL EXTRA:

### CONCENTRIC FITTINGS FOR COMMERCIAL FAUCETS (PAIR)

CODE:

**44690.02**



CENTRAL BRASS

## WALL MOUNT EXTENDED HEIGHT PRERINSE COMMERCIAL KITCHEN MIXER

PRE-RINSE WELS 5 STAR 5 L/MIN

CHROME:

**44685.02**

OPTIONAL EXTRA:

### CONCENTRIC FITTINGS FOR COMMERCIAL FAUCETS (PAIR)

CODE:

**44690.02**



CENTRAL BRASS

## DECK MOUNTED EXTENDED HEIGHT PRERINSE COMMERCIAL KITCHEN MIXER WITH SINK SPOUT

PRE-RINSE WELS 5 STAR 5 L/MIN

SINK SPOUT WELS 4 STAR 7 L/MIN

CHROME:

**44695.02**



## CENTRAL BRASS®

5 Year Warranty\*

Pre-Rinse Pull Down Spray

Ceramic Disc Cartridge

Adjustable Wall bracket for additional support

Two handle: Hot & Cold

Divertor lever: Switch between overhead pre-rinse spray and sink spout

Pipe Strap and Hook Assembly

1/2" Female BSP Pipe Thread

Pail/Bucket Hook (Applies to 44687.02)

Overhead spring for maneuverability

Swivel Spout

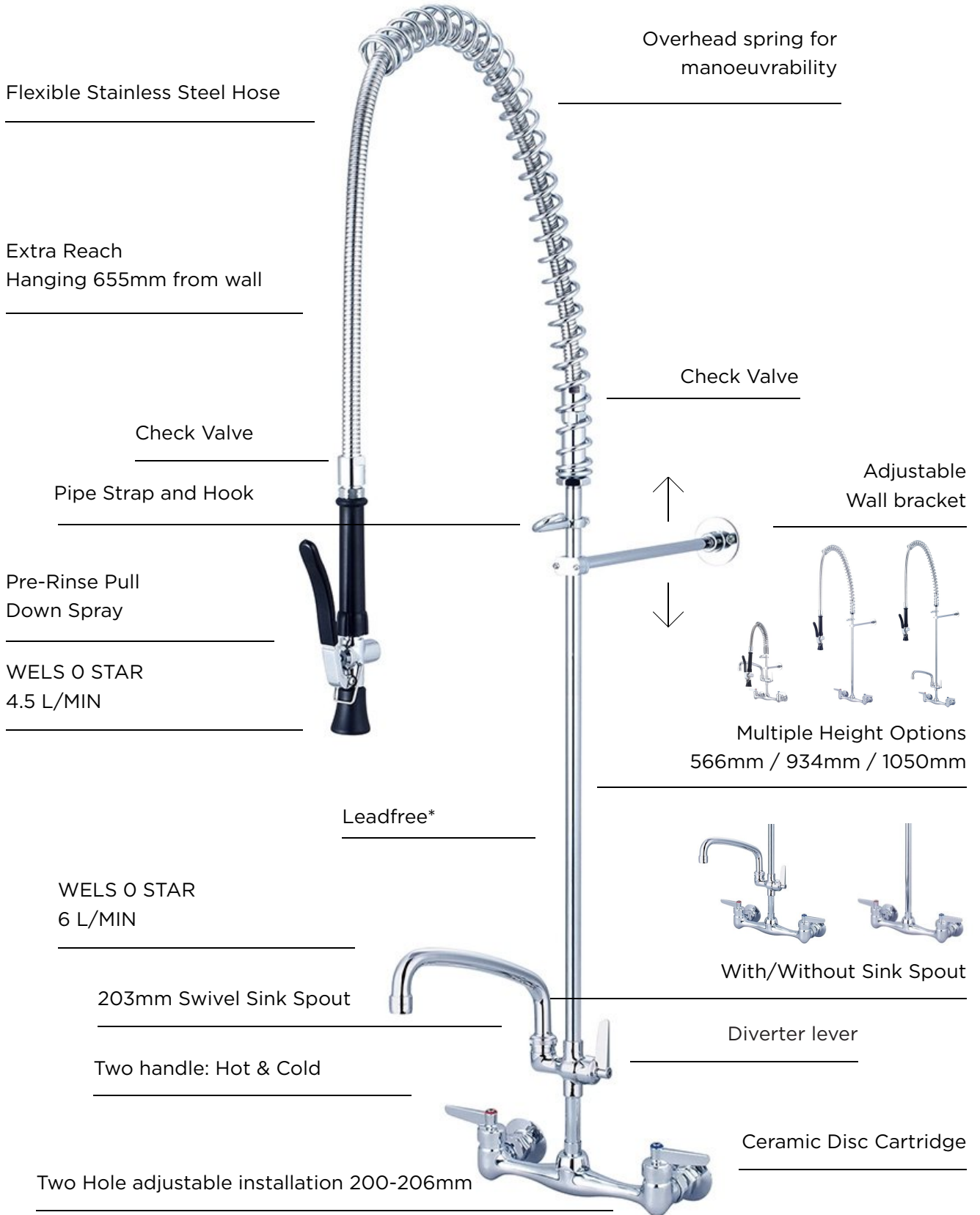
Two hole adjustable installation

Vacuum Breaker

---

## PRE-RINSE MIXER

Extra spraying power and the convenience of flexible design are the primary advantages of a pre-rinse mixer. These are great for rinsing dishes that have just arrived in the kitchen, or ones that have been splattered with food and unfortunately set to the side. A pre-rinse mixer boasts strong jets of water able to power-off heavy amounts of food. Its unusually tall and incredibly flexible hose is ideal for reaching around and under large, awkwardly shaped dishes to get into every corner, nook and cranny.



CENTRAL BRASS

**2TH WALL MOUNT EXTENDED POT FILLER**

SWIVEL SPOUT  
HOT/COLD WATER  
WELS 4 STAR 7 L/MIN  
CHROME:  
**44691.02**

OPTIONAL EXTRA:  
**CONCENTRIC FITTINGS  
FOR COMMERCIAL  
FAUCETS (PAIR)**

CODE:  
**44690.02**



CENTRAL BRASS

**WALL MOUNT SERVICE SINK MIXER**

WELS 0 STAR 37 L/MIN  
CHROME:  
**44687.02**

OPTIONAL EXTRA:  
**CONCENTRIC FITTINGS  
FOR COMMERCIAL  
FAUCETS (PAIR)**

CODE:  
**44690.02**



CENTRAL BRASS

**1TH WALL MOUNT EXTENDED POT FILLER**

SWIVEL SPOUT  
FOR COLD WATER  
WELS 4 STAR 7 L/MIN  
CHROME:  
**44693.02**



OPTIONAL EXTRA:

**SWIVEL SPOUT**

Don't get stuck with a stationary spout if you have multicompartmental sinks or large pots or buckets that need filling. Swivel spouts can move from left to right and work brilliantly for switching from a rinse sink to a washing-up sink. They also work great for larger items that need the space for lifting, where a stationary faucet would just get in the way.

CENTRAL BRASS

**152MM SWIVEL TUBE SPOUT FOR  
COMMERCIAL SINK SPOUT**

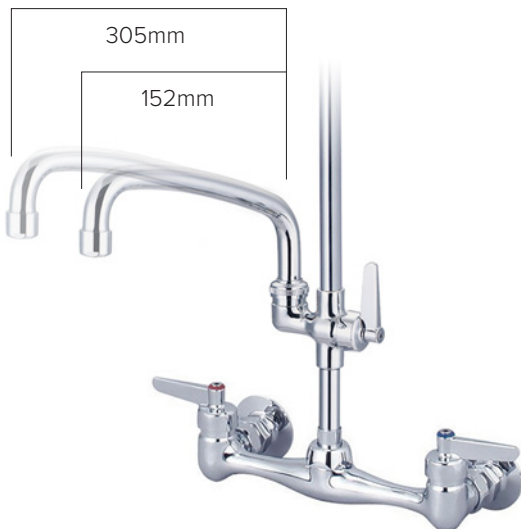
WELS 0 STAR 6 L/MIN  
CHROME:  
**44672.00**



CENTRAL BRASS

**305MM SWIVEL TUBE SPOUT FOR  
COMMERCIAL SINK SPOUT**

WELS 0 STAR 6 L/MIN  
CHROME:  
**44674.00**

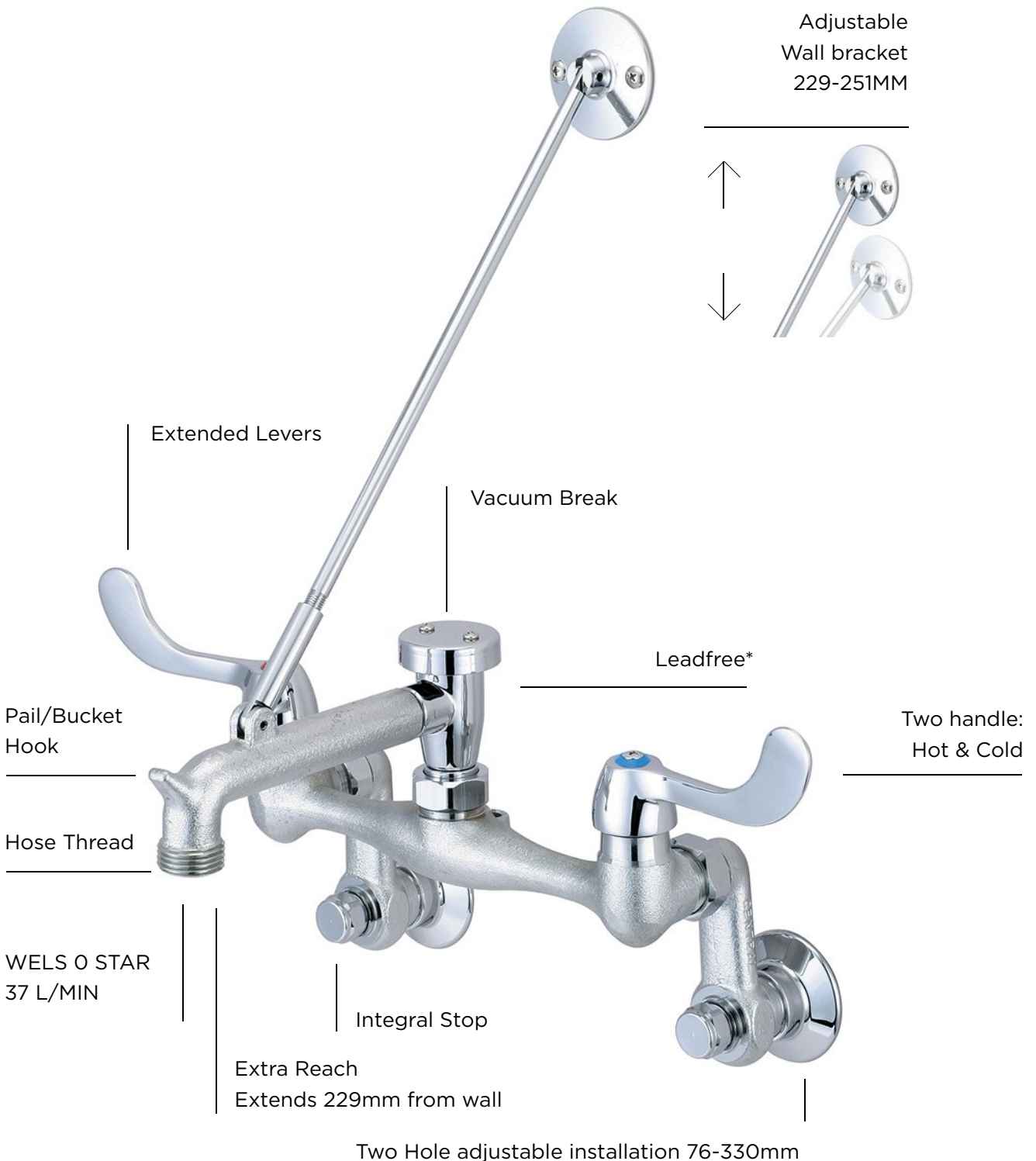


\*All guarantees are subject to terms and conditions and available at:  
[robertson.co.nz/warranties](http://robertson.co.nz/warranties)



## SERVICE SINK MIXER

The disposal of liquid waste is best done in a service sink. Service sink mixer are built to an industrial standard and are wall-mounted to maximize the space needed for the dimensions and weight of buckets and mops. All commercial kitchens must be cleaned daily (even several times a day) and janitorial equipment cannot be cleaned in a sink where food preparation takes place. In kitchens, a service sink faucet is mounted over a specialty service sink for the purpose of rinsing out and filling up mop buckets as well as washing mops and other water-safe cleaning equipment. Central Brass manufactures a Two Handle Wall Mount Service Sink complete with a built-in ultra-convenient pail hook. It is braced for heavy duty with extra wall-mounted support as well.



25 Vestey Drive  
Mt Wellington, Auckland 1060

PO Box 14695, Panmure  
Auckland 1741, New Zealand

Ph: +64 9 573 0490  
Fax: +64 9 573 0495  
Email: sales@robertson.co.nz

[robertson.co.nz](http://robertson.co.nz)



## SHOWROOMS

**A**

AUCKLAND  
ROBERTSON

25 Vestey Drive, Mt Wellington  
Ph: (09) 573 0490

Open Monday to Friday 8.00am - 4.30pm  
Open Saturday 9.00am - 2.00pm  
Closed Sunday and public holidays

**KITCHEN THINGS** | LUXURY  
COLLECTION

26 Morrow Street, Newmarket  
Ph: (09) 522 8375

Open 7 days 10am - 6pm

**W**

WELLINGTON  
ROBERTSON

23 Marion St, Te Aro  
Ph: (04) 595 1165

Open Monday to Friday 8.30am - 5pm  
Closed Saturday and Sunday

For a bathware consultation please make  
an appointment by emailing  
sales@robertson.co.nz

**C**

CHRISTCHURCH  
HOME IDEAS

37 Mandeville Street Riccarton  
Ph: (03) 348 2863

Open Monday to Friday 9am - 4pm  
Saturday 10am - 2pm Sunday 10am - 2pm

You can view and purchase our  
products nationwide from our  
supporting bathroom suppliers.  
To find your nearest location visit  
[robertson.co.nz](http://robertson.co.nz) and click on the  
'where to buy' link at the top of  
the page. Alternatively you can  
view products at our Robertson  
Bathware Showrooms at the  
locations below.

robertson  
**design.ideas™**

ROBERTSON DESIGN IDEAS

Email: [designideas@robertson.co.nz](mailto:designideas@robertson.co.nz)

[ROBERTSONDESIGNIDEAS.CO.NZ](http://ROBERTSONDESIGNIDEAS.CO.NZ)



robertson®  
**trade**

ROBERTSON TRADE  
PARTS & SERVICE CENTRE

42 Vestey Drive  
Mt Wellington, Auckland 1060  
Email: [trade@robertson.co.nz](mailto:trade@robertson.co.nz)

[ROBERTSONTRADE.CO.NZ](http://ROBERTSONTRADE.CO.NZ)



ROBERTSON OUTLET STORE

42 Vestey Drive  
Mt Wellington, Auckland 1060  
Email: [outlet@robertson.co.nz](mailto:outlet@robertson.co.nz)  
By appointment only

[www.trademe.co.nz/stores/robertson-bathware-outlet-store](http://www.trademe.co.nz/stores/robertson-bathware-outlet-store)